

Bi2 PLUS

SLR+ inverter - ultraslim



Compatible with:



METAL DESIGN

Metal finishes for maximum aesthetic appeal.



RADIANT TECHNOLOGY

Terminal with tubular heating panel for maximum acoustic and climate comfort.

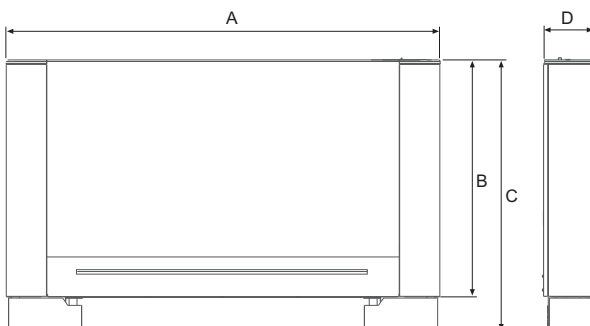
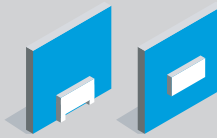


A CHOICE OF COLOURS

Bi2 Plus can be customized upon request to make it fit with the color scheme of the surrounding environment.

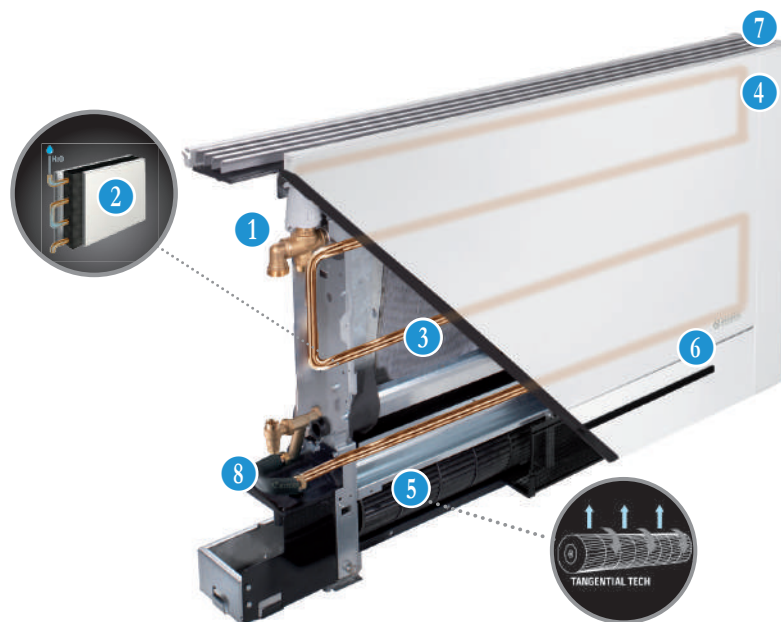
FEATURES

- Air Conditioning, Dehumidifying, Heating and Filtering
- Terminal with integrated heating panel
- Compact: Thickness of only 12,9 cm
- Range consisting of 5 power modules
- Brushless DC motor
- Available in the colours: White RAL 9010
- Installation: floor, wall



		200	400	600	800	1000
A	mm	697	897	1097	1297	1497
B	mm	579	579	579	579	579
C	mm	659	659	659	659	659
D	mm	129	129	129	129	129
Net weight	kg	15	17	21	24	28

- 1 Valve with thermoelectric actuator (accessory kit)
- 2 Tubular heating panel
- 3 HE battery
- 4 Water temperature probe
- 5 High efficiency tangential fan
- 6 DC Brushless inverter motor
- 7 Electronic controls (accessory kit)
- 8 Condensate collection tray



MODEL		SLR+ inverter - ultraslim																
		200			400			600			800			1000				
SLR+ Inverter (white)		cod.	01609			01610			01611			01612			01613			
Fan speed			Lower	Middle	High	Lower	Middle	High	Lower	Middle	High	Lower	Middle	High	Lower	Middle	High	
Total power output in cooling mode	a27/19 - w7/12	(a) (E)	kW	0.38	0.71	0.82	0.91	1.34	1.74	1.50	2.10	2.54	1.98	2.69	3.29	2.17	3.25	3.78
Sensitive power output in cooling mode	a27/19 - w7/12	(a) (E)	kW	0.26	0.50	0.64	0.65	1.02	1.25	1.10	1.56	1.94	1.54	2.09	2.54	1.71	2.42	2.98
Fluid flow rate	a27/19 - w7/12	(a)	l/h	66.2	123.3	142.9	157.6	232.0	302.5	259.2	363.1	440.3	341.9	464.7	570.0	374.8	561.4	654.8
Water side head loss	a27/19 - w7/12	(a) (E)	kPa	3.8	10.6	13.1	2.4	5.5	8.2	7.5	14.2	19	7.3	13.8	18.7	5.7	13.1	18.2
Total power output in heating mode	a20/15 - w50/-	(b) (E)	kW	0.64	0.84	1.05	1.25	1.65	2.31	1.75	2.56	3.12	2.21	3.10	4.10	3.05	3.77	4.67
Fluid flow rate	a20/15 - w50/-	(b)	l/h	66.2	123.3	142.9	157.6	232.0	302.5	259.2	363.1	440.3	341.9	464.7	570.0	374.8	561.4	654.8
Water side head loss	a20/15 - w50/-	(b) (E)	kPa	3.2	8.8	10.9	2.0	4.6	6.8	6.2	11.8	15.8	6.1	11.5	15.5	4.7	10.9	15.1
Total power output in heating mode	a20/15 - w45/40	(c) (E)	kW	0.54	0.70	0.88	1.06	1.39	1.94	1.46	2.14	2.60	1.85	2.60	3.44	2.56	3.16	3.91
Fluid flow rate	a20/15 - w45/40	(c)	l/h	91.9	119.9	150.0	181.9	238.1	330.3	250.6	365.7	444.6	316.6	444.8	587.9	438.1	541.0	668.5
Water side head loss	a20/15 - w45/40	(c) (E)	kPa	5.7	8.8	12.2	2.9	4.8	7.9	5.8	11.8	16.0	4.1	8.9	14.2	6.4	9.8	13.9
Absorbed power		(E)	W	5	7	11	6	9	19	7	11	20	8	12	24	9	14	27
Sound Power Lw(A)		(E)	dB(A)	38	45	52	39	46	53	41	47	53	42	48	54	42	48	54
Sound pressure Lp (A)		(d)	dB(A)	29	36	43	30	37	44	32	38	44	33	39	45	33	39	45
Air flow		(f)	m3/h	100	130	160	190	250	320	280	360	460	350	450	575	400	510	650
Battery water content			l	0.47			0.8			1.13			1.46			1.8		
Maximum operating pressure			bar	10			10			10			10			10		
Hydraulic fittings			inches	Eurocone 3/4			Eurocone 3/4			Eurocone 3/4			Eurocone 3/4			Eurocone 3/4		
Electrical power supply			V/ph/Hz	230/1/50			230/1/50			230/1/50			230/1/50			230/1/50		
Max static heating efficiency (50°C)			kW	0.37			0.42			0.5			0.62			0.77		
Max static heating efficiency (70°C)			kW	0.59			0.71			0.84			1.04			1.28		
Water content of the radiant panel			l	0.19			0.27			0.35			0.43			0.5		

The above services refer to the following operating conditions:

(a) Cooling mode at standard conditions: air temperature 27°C b.s., 19°C b.u., water inlet temperature 7°C, water outlet temperature 12°C

(b) Heating mode conditions of use 1: air temperature 20°C b.s., 15°C b.u. max, water inlet temperature 50°C, water flow equal to the cooling water standard condition

(c) Heating mode standard conditions: air temperature 20°C b.s., 15°C b.u. max, water inlet temperature 45°C, water outlet temperature 40°C

(d) Sound pressure level valid for closed rooms with a volume of 100 m3 with a reverberation time of 0.5 s and installation on the floor/ceiling, sound emission on 1/4 sphere at 3 m distance

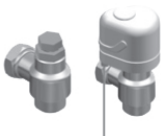






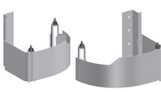


(E) Eurovent certified data

(f) Air flow rate measured with clean filters

ACCESSORIES

SLR+ INVERTER - ULTRASLIM

	CODE	DESCRIPTION	COMBINATIONS
ON BOARD CONTROL	 B0673	Built-in electronic autonomous control kit. Control with adjustable thermostat, fan mode selection (summer, winter, automatic) and ventilation program (minimum, maximum, night, modulated) and minimum water sensor function. It has an inlet for the presence sensor connection, and two 230VAC outlets for the control of 2 solenoid valves.	
	 B0828	Touch flat design built-in control kit. Back-lit display with desired temperature visualization, real-touch switches, mode of operation and fan speed selection. Control with adjustable thermostat, fan speed selection (summer, winter, automatic) and ventilation program (minimum, maximum, night, modulated) and minimum water sensor function. It has an inlet for the presence sensor contact connection, a 230VAC outlet for the solenoid valve control. Remote control provided. Can be remote controlled via a combination of keys for connection with Modbus RS485 protocol. Command pre-configured on the machine (cannot be ordered separately).	B0736  My Home by 
REMOTE CONTROL	 B0756	Control kit for remotization for the management and control through analogic inlet 0-10V or contacts. It has a 230VAC outlet for the control of one solenoid valve and a water sensor inlet with minimum temperature sensor function (in the contact mode).	
	 B0736	LCD wall clock thermostat remote control kit. Programmable wall LCD thermostat control for MODBUS connection, RS485. Ability to control up to 30 units. Desired temperature selection, operation mode, fan speed, manual/programmable thermostat. Room sensor inserted in control. Backlit LCD. Presence contact input. The control is equipped with a 230/12VAC double insulation power transformer and a buffer battery. Wall installation with center to center distance compatible with standard recessed mounting box 503.	B0828 
Addressing for Bticino management and SiOS Control		INDRZ	Mandatory default addressing of remote kits in case of remote management via Modbus connection with SiOS Control, Bticino MYHome and any other system that communicates in Modbus.

	CODE	DESCRIPTION
HYDRAULIC KITS	 B0832	2-way valves unit kit with 4-wire thermoelectric actuator and end run micro switch. Consists of a valve with thermoelectric actuator and holder, the first allows for the control of terminal thermal emissions intercepting water passage; the holder allows the balancing of system load losses. This kit is mandatory in version SLR except in the case of using a 3-way valve kit or in the presence of a collector with thermoelectric heads.
	 B0834	3-way valves unit kit with 4-wire thermoelectric actuator and end run micro switch. Consists of a three-way diverter valve with thermoelectric actuator, and a holder. The first allows the control of terminal thermal emissions intercepting water passage; the holder allows the balancing of system load losses; the by-pass keeps water circulating in the system. This kit is an alternative to the 2-way solenoid valve kit (required in version SLR).
	 B0205	Manual 2-way group valves kit. Consisting of a valve and a holder, the first allows the cabinet to be manually excluded from the system, while the holder allows the balancing of system load losses. Also allowed when solenoid valves on the collector are managed by the control kit of terminal Bi2.
	 B0204	Manual 2-way valve isolation kit. Avoids condensation during the cooling operation (already included in the other thermoelectric hydraulic kits).
	 B0200 B0201	Kit pair adapters. Allows you to transform the Bi2 3/4" Eurocone connection into a standard 1/2" (B0200) or 3/4" (B0201) gas thread connection.
	 B0203	Kit 90° Eurokonus bend Facilitates the connection in case of hydraulic connections with walled pipes.
ELECTRICAL KITS	 B0632 (200) B0632 (400) B0632 (600) B0633 (800) B0633 (1000)	Extension cord control panel kit Power and motor sensor electric connection cable for installations where connection positions are rotated (from Left to Right).
AESTHETICAL KITS	 B0157 PHASE OUT	Feet kit Kit of two aesthetic feet for coverage of any floor pipes. Available in white.
	 B0193 PHASE OUT	Floor fixing brackets kit Terminal support and floor fixing bracket kit (front glass applications or on non-bearing walls). To be used in combination with kit B0157.
	 B0171 (200) B0173 (400) B0175 (600) B0177 (800) B0179 (1000) PHASE OUT	Back panel in painted sheet (for front glass applications).